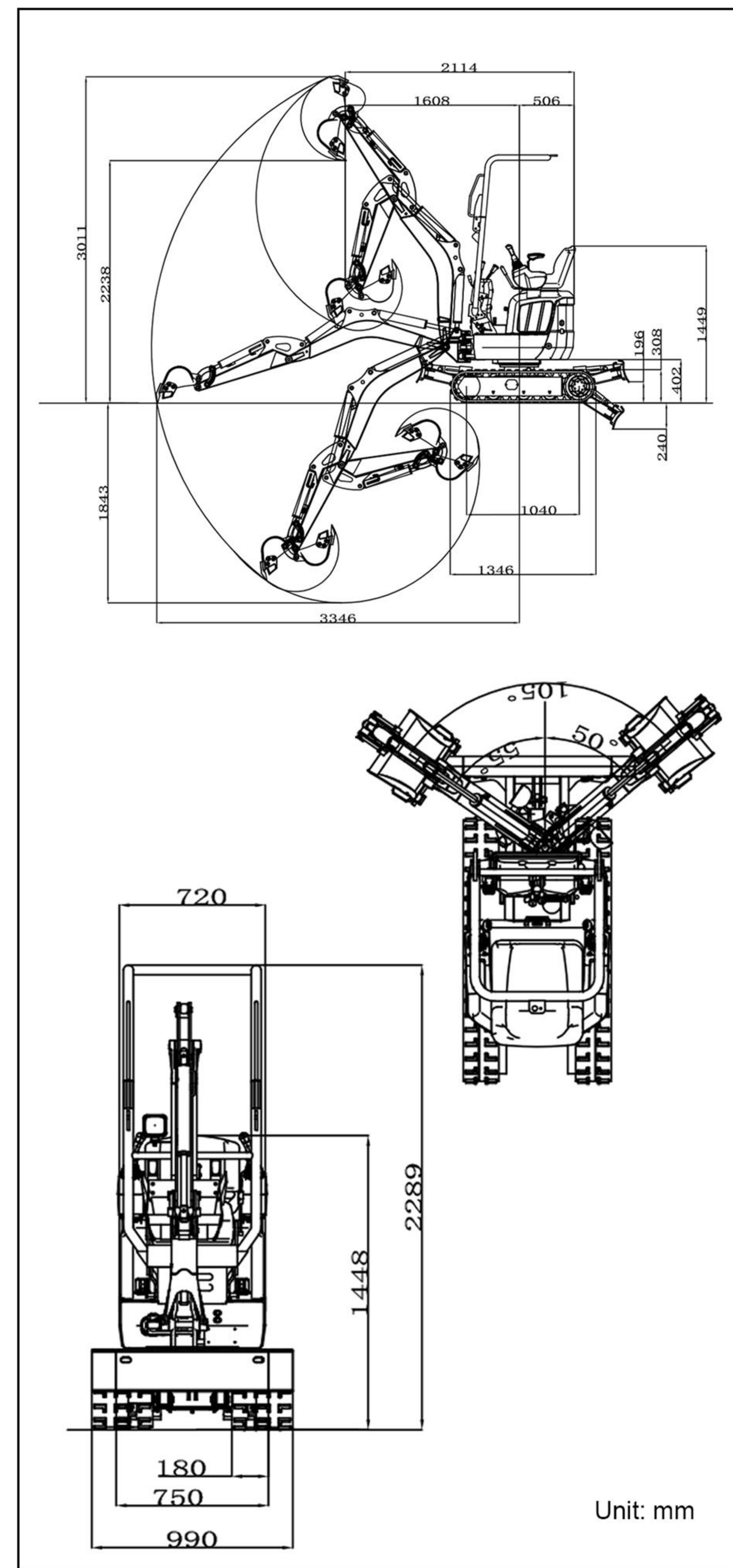


■ SCOPE OF WORK



■ SPECIFICATION

	Model	US	R13 PRO
Basic parameters	Machine working weight	2866lb	1300kg
	Bucket capacity	1.06ft <sup>3</sup>	0.03m <sup>3</sup>
	Travel speed low/high speed	0-0.93/0-1.74mph	0-1.5/0-2.8km/h
	Gradeability	30%	30%
	Ground pressure	26.79Kpa	26.79Kpa
	Maximum digging force	9.8kN	9.8kN
	Maximum digging radius	131.7in	3346mm
	Maximum digging depth	72.6in	1843mm
	Maximum digging height	118.5in	3011mm
	Maximum unloading height	88.1in	2238mm
Maximum deflection angle	4.1in	105mm	
Track extension range	29.5-39in	750-990mm	
Engine	Engine brand	Kubota	Kubota
	Engine model	D722	D722
	Maximum horsepower	13.7hp	13.97ps
	Maximum power	10.2kw	10.2kw
	Maximum speed	2500rpm	2500rpm
	Displacement	0.19gal	0.719L
	Number of cylinders	3	3
	Cooling method	Water-cooled	Water-cooled
	Engine oil change amount	0.92gal	3.5L
	Fuel form	Diesel	Diesel
Fuel grade	0/-10	0/-10	
Theoretical fuel consumption	0.29-0.4gal	1.1-1.5L/h	
Body	Transport length	83.2in	2114mm
	Transport width	29.5in	750mm
	Transport height	90.1in	2289mm
	Counterweight ground clearance	15.8in	402mm
	Bucket width	15.7in	400mm
	Boom length	57.1in	1450mm
	Arm length	34.6in	880mm
	Bulldozer blade width	29.5-39in	750-990mm

■ HYDRAULIC SYSTEM

Main pump type/model	Gear pump/305	Maximum set pressure (Mpa)	20MPa
Main pump brand	Tianjin walking	Travel hydraulic motor type	WDM-390 dual-speed travel motor
Main pump maximum flow (L/min)	25	Travel motor brand	Paiyi
Multi-way valve	THD12 multi-way valve	Motor displacement	390
Multi-way valve brand	Taifeng	Slewing hydraulic motor type	BM2-315
Rated set pressure (Mpa)	18MPa	Displacement	315

- Please read the instruction manual carefully and use the machine correctly.
- Always wear a seat belt when working. (ROPS specifications only)
- If you are operating construction machinery with a machine mass of less than 3 tons, you must take the "Special Training for Vehicle-Mounted Construction Machinery Operation" course beforehand. If the machine mass is 3 tons or more, you must take the "Vehicle-Mounted Construction Machinery Operation Skills Course".
- To prevent breakdowns and accidents, be sure to inspect the machinery regularly.
- Specific voluntary inspections are required to be carried out by an inspection company registered with the Minister of Health, Labor and Welfare or the Director-General of the Labor Standards Inspection Bureau.



RIPPA GROUP

# R13PRO



Ultra-compact construction machine with excellent accessibility to narrow spaces and stability

# R13PRO



The feature of R13 PRO

# Features and Functions



## 1 Front-mounted control lever

The front-mounted operating lever ensures ample space for the feet and around the driver's seat.



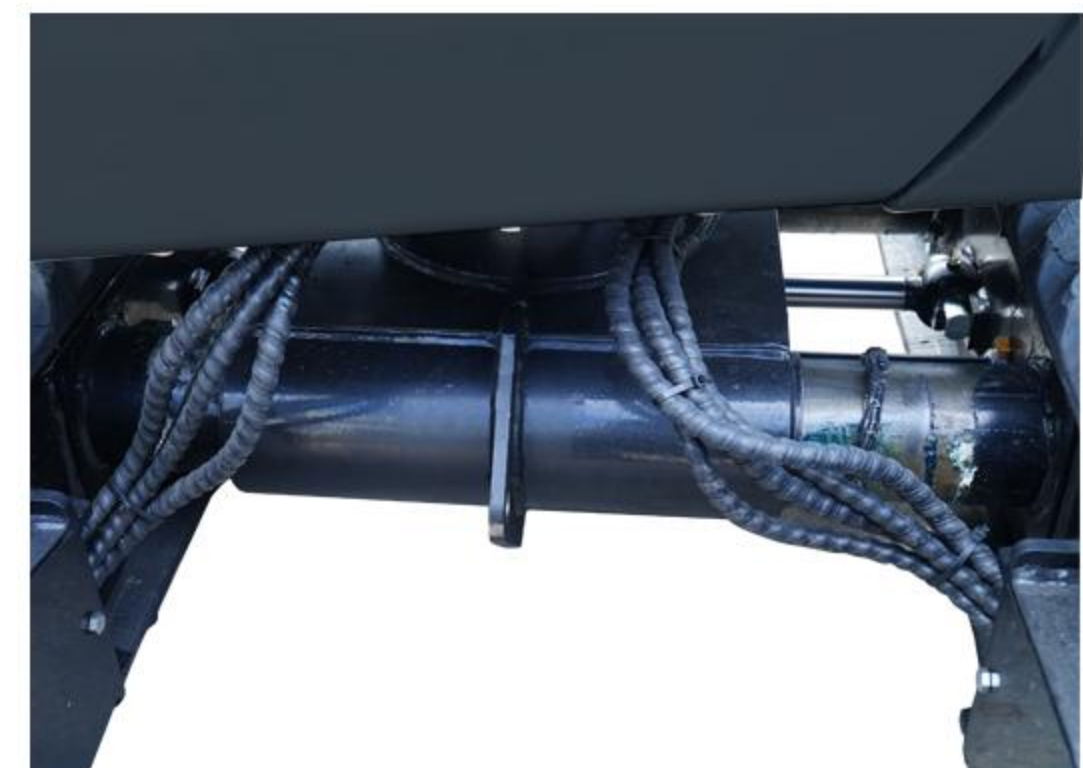
## 2 Operation Lock Lever

It is equipped with an engine neutral start function that prevents the engine from starting unless the operation lock lever is in the raised position.



## 3 Fully openable bonnet

The fully-opening bonnet opens wide to the rear, making it easy to carry out daily inspections and part replacements around the engine and fuel system.



## 4 Towing hook

A hook is equipped on the rear of the frame.



## 5 Air Filter

Prevent dust and impurities from entering the engine's air intake system, thus extending the engine's service life



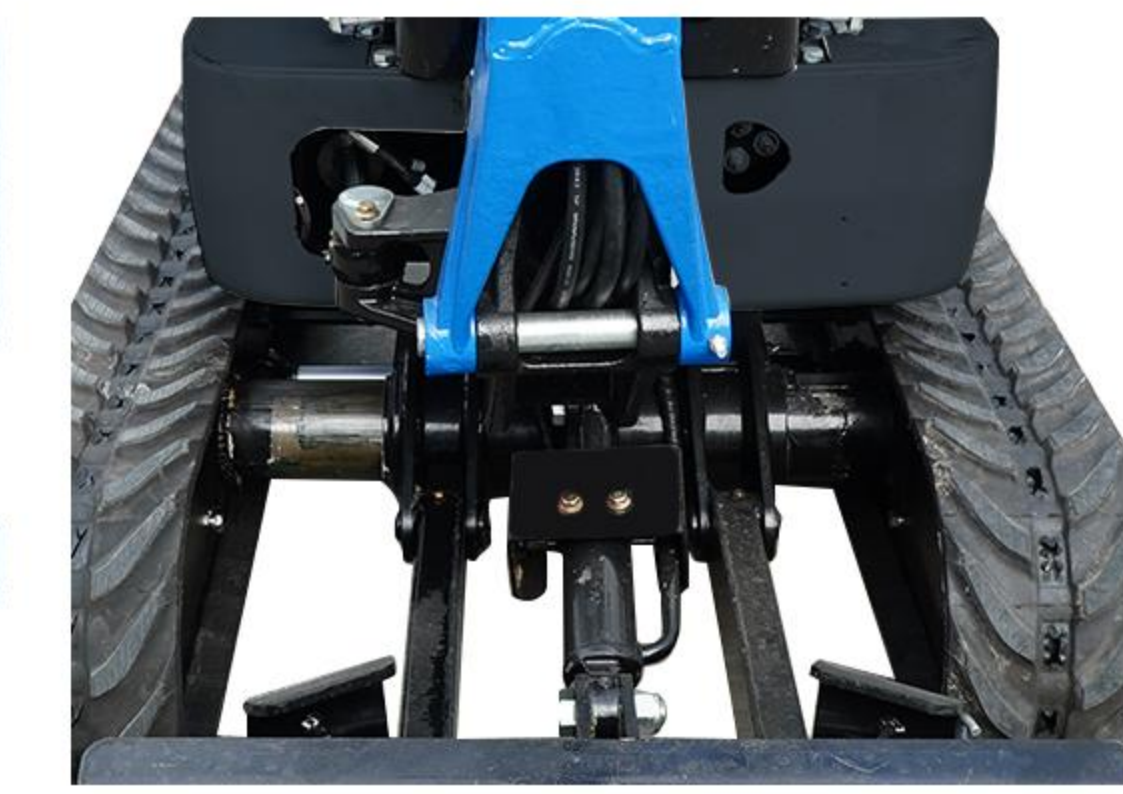
## 6 Operation Switching

You can switch between two operation patterns by moving the lever without the need for tools.



## 7 Extended bulldozer blade

The width of the dozer blade can be easily extended by removing and attaching the pin.



## 8 Split Dozer Hose

In the event of unexpected damage, the hose can be easily replaced.



## 9 LED Light

It comes standard with an LED light that generates little heat and is resistant to vibration.



## 10 Rear boom cylinder

You can scoop up large stones and concrete pieces with the bucket, load them onto a dump truck, or work with a mounted breaker without worrying about damaging the boom cylinder.





High performance of **R13 PRO**  
**ULTIMATE ACCESSIBILITY  
 TO NARROW SPACES**



Variable leg retracted: 750mm

Variable leg extension: 990mm

### Variable leg specifications

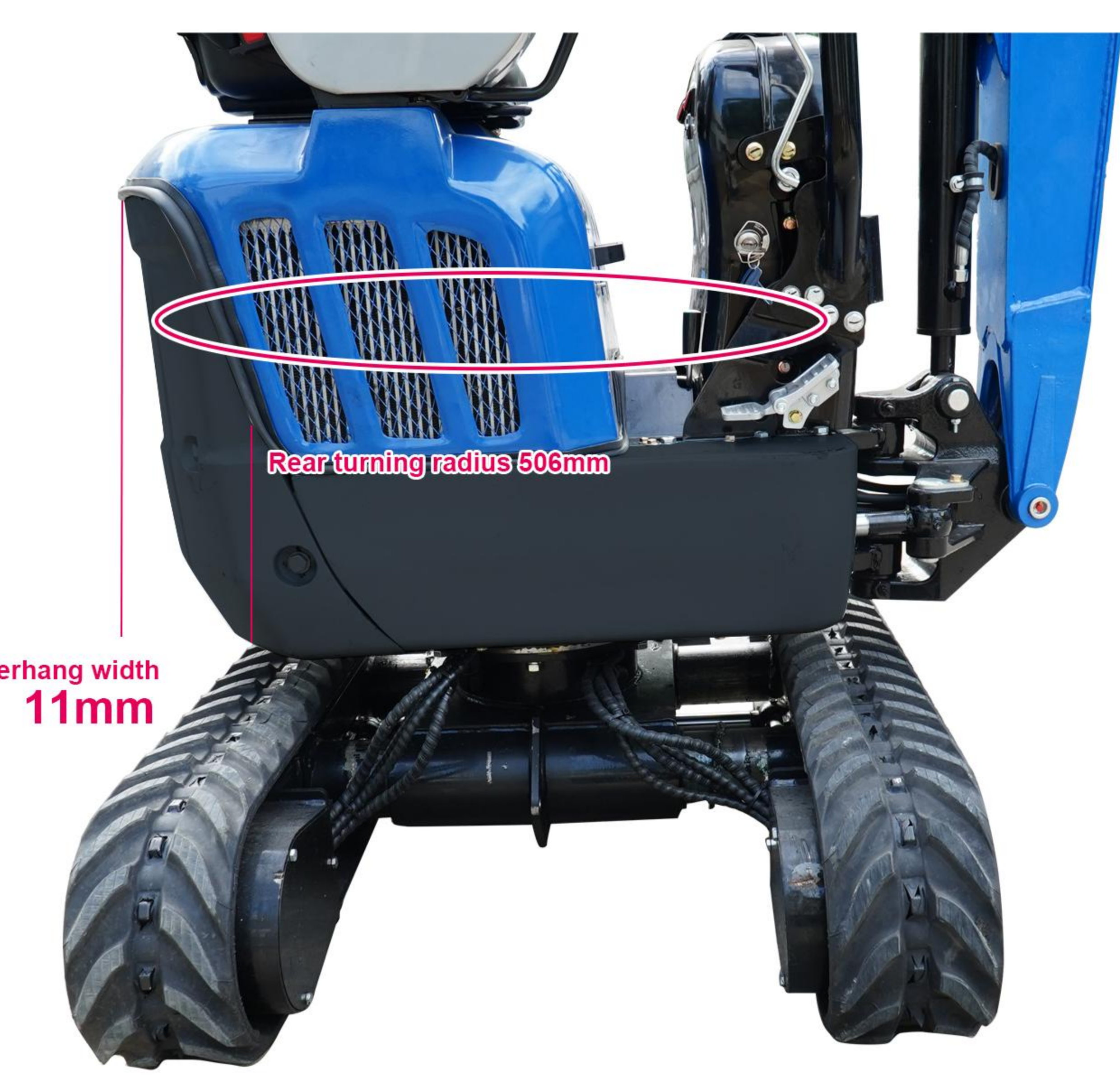
It uses variable leg crawlers that can be easily extended and retracted by operating a lever. By contracting the crawler width, it can easily pass through narrow passages and between gates, and when expanded it is highly stable and can handle a variety of tasks. The blade width can be easily extended by attaching and removing the pin.

\* Please extend the crawler when working.



### Rear small swing machine

The rear radius is 506mm, making it easy to work in tight spaces or close to walls. In addition, the rear end overhang is only 15mm when turning, making it compact and allowing you to turn in tight spaces without hesitation.



Rear turning radius 506mm

Overhang width  
**11mm**



### Can be excavated in narrow spaces

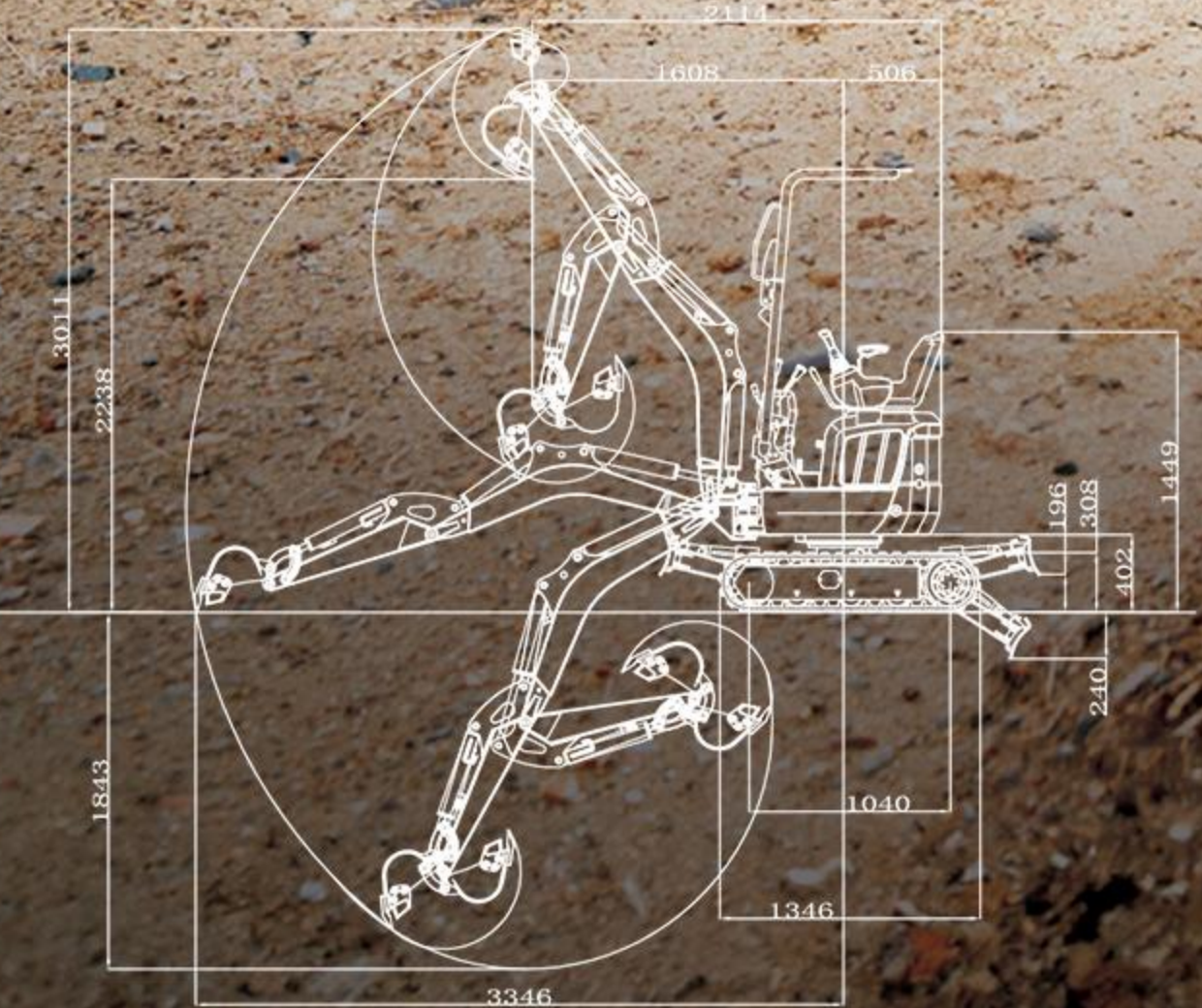
By swinging the work machine, excavation in narrow spaces and near walls is possible.

Boom swing angle (right): 50°  
 Boom swing angle (left): 55°



High performance of **R13 PRO**

# Reliable excavation performance

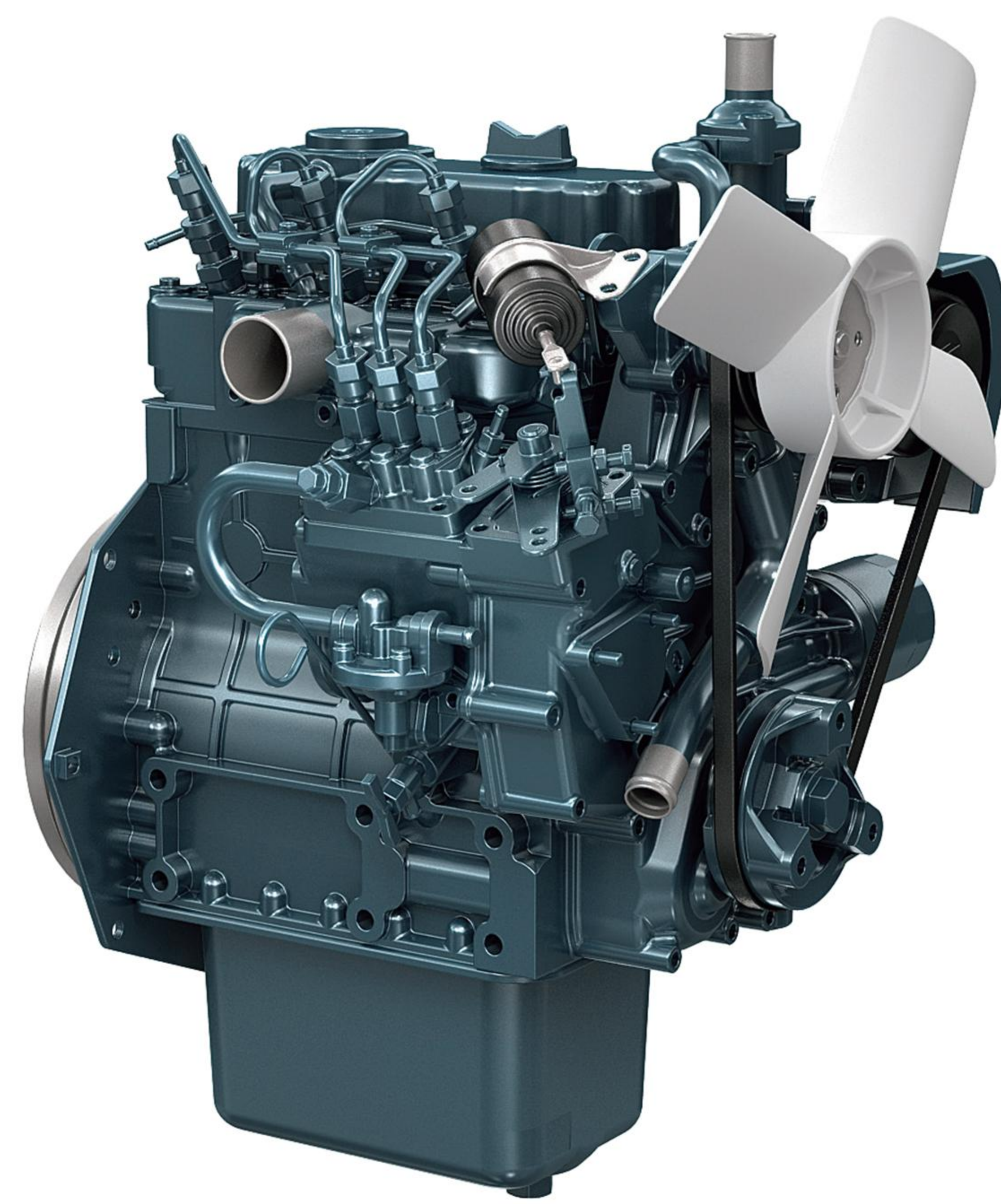


## Wide working range

Despite its compact size (1 ton class), it has powerful excavation performance and a wide working range. It makes it easy to load soil onto trucks and excavate.

Maximum digging radius  
**3346MM**

Maximum excavator depth  
**1843MM**



## Kubota 3 cylinder engine

Equipped with a high-torque, low-vibration Kubota 3-cylinder engine, it provides powerful digging power.

Engine type: D722 - E4 - BH - 5US  
Rated power/speed: 7.6rpm (10.3PS)/2,050rpm



## Oil pressure control system

It is equipped with a hydraulic pilot lever that allows smooth operation and one-touch pattern switching.



## Environmental friendly

The ultra-low-pitched engine reduces noise problems during urban construction and at night. Environmentally friendly, in compliance with Euro 5 and EPA 4 emission standards

The feature of **R13 PRO**  
**Safety and Security Design**



**Fully opening bonnet and bonnet grip**

The fully opening bonnet opens wide at the rear. This allows for easy daily inspection and part replacement around the engine and fuel system. A bonnet grip has also been added to make opening and closing the bonnet easier.



**Split dozer hose**

The hose can be easily replaced even if it is accidentally damaged while driving on rough ground.



**Towing hook**

The frame is equipped with a hook on the rear



**Rear-mounted boom cylinder**

You can scoop up large stones or concrete pieces with a bucket, load them onto a dump truck, or work with an on-board breaker without worrying about damaging the boom cylinder.



**Operation Lock Lever**

It is equipped with an engine neutral start function that prevents the engine from starting unless the operation lock lever is in the raised position.



**LED Light**

It comes standard with an LED light that generates little heat and is resistant to vibration.

**ROPS specification (optional)**



**Front ROPS bar**

This protects the operator from the danger of falling over. It can also be folded up to accommodate different heights for transport etc.

※ROPS (Roll Over Protective Structure)

This stands for "rollover occupant protection structure," and refers to a structure that protects the operator wearing the seat belt from danger when the machine rolls over.



**Slide seat & retractable seat belt**

The slide seat can be adjusted in four stages to suit the operator's physique, allowing them to work in a comfortable position.

※ When using a ROPS system, be sure to fasten the seat belt when working.



**Instruction manual and tool box**

A box for storing instruction manuals and tools is provided under the seat.

# WE ARE RIPPA

Shandong Rippa Machinery Group Co., Ltd. is located in the Sixth Industrial Park, Jining high tech Zone, Shandong Province. It is a state-level high-tech enterprise with the right to import and export;

The company's staff are vigorous and enterprising, and constantly create the legend and glory of the Rippa!



**Shandong Rippa Machinery Group Co., Ltd.**

Add: No.6 Industrial Park, Chongwen Avenue 2166, Gaoxin District, Jining City, Shandong Province



[www.rippa.com](http://www.rippa.com)

Some specifications are based on engineering measurements and may deviate from actual conditions. Specifications are for comparison purposes only and are subject to change without notice. Specifications of individual RIPPA equipment will vary based on normal variations in design, manufacturing, operating conditions and other factors. Some pictures of RIPPA equipment are not limited to standard packages.